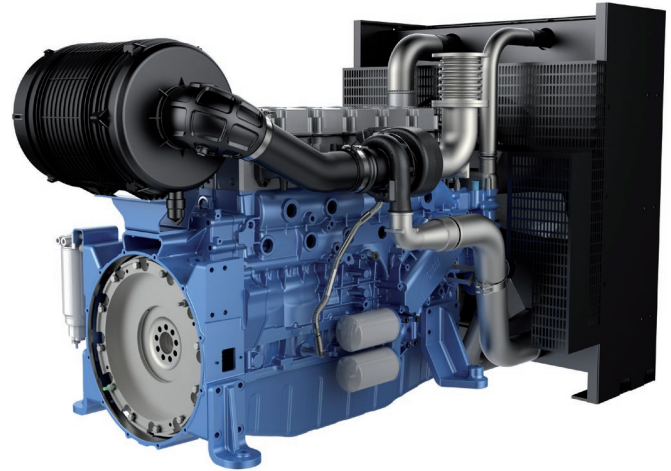


# 6M21 Series

## General Specifications

Bore x Stroke	127 x 165 mm
Displacement	12.54 L
N° of Cylinders	6
Cylinders Arrangement	In line
Fuel System	Mechanical Pump / Common
Governor (Gov.)	Electronic / ECU
Aspiration (Asp.)	T/A-A



Diesel Engine	Speed Rpm	Gross Engine Output		Typical Generator Output				Asp.	Gov.
		Prime Power PRP	Standby Power ESP	Prime Power PRP		Standby Power ESP			
		kWm	kWm	kWe	kVA	kWe	kVA		
6M21G385/5	1500	350	385	280	350	308	385	T/A-A	Elec <sup>1</sup>
6M21G440/5	1500	368	405	320	400	352	440	T/A-A	Elec <sup>1</sup>
6M21G500/5 <sup>^</sup>	1500	409	450	360	450	400	500	T/A-A	ECU
6M21G330/6	1800	350	385	300	375	330	413	T/A-A	Elec <sup>1</sup>
6M21G390/6	1800	407	448	350	438	390	488	T/A-A	Elec <sup>1</sup>
6M21G400/6 <sup>^</sup>	1800	418	460	360	450	400	500	T/A-A	ECU

Aspiration : T/A-A = Turbocharged & Air-to-Air Aftercooled

<sup>1</sup>: Mechanical governor available as option

<sup>^</sup> These engines are designed for emergency standby power (ESP) applications only. The indicated PRP Power is for reference only.

## Standard Equipment

### Engine and block

- Cast iron frame style body structure
- One-piece forged crankshaft
- Split-cap forged steel connecting rods
- Separate cast iron cylinder heads with 4 valves
- Replaceable dry cylinder liners
- Aluminum alloy pistons with oil cooling gallery

### Cooling system

- Radiator and hoses supplied separately
- Thermostatically-controlled system with belt driven coolant pump and pusher fan

### Lubrication system

- Flat bottom large capacity oil pan
- Spin-on full-flow lube oil filter

### Fuel system

- P type fuel injection pump and injector for higher inject pressure, for engines with electronic governor
- High pressure Common Rail injection system, for engines with ECU
- Duplex fine filter and water separation filter assembly with transparent cup for better efficiency

### Air intake and exhaust system

- Mid-position and below inlet turbocharger optimized for genset application
- Special rear mounted air filter with restriction indicator
- Exhaust manifold shield for heat isolating

### Electrical system

- 24 Vdc electric starter motor and battery charging alternator
- LOP + HWT sensors

### Flywheel and housing

- SAE 1 flywheel housing and 14" flywheel

## Ratings definitions

### Emergency Standby Power (ESP)

Emergency Standby Power is the maximum power available for a varying load for the duration of a main power network failure. The average load factor over 24 hours of operation should not exceed 70% of the engine's ESP power rating. Typical operational hours of the engine is 200 hours per year, with a maximum usage of 500 hours per year. This includes an annual maximum of 25 hours per year at the ESP power rating. No overload capability is allowed. The engine is not to be used for sustained utility paralleling applications.

### Unlimited Prime Rated Power (PRP)

Prime Power is the maximum power available for unlimited hours of usage in a variable load application. The average load factor should not exceed 70% of the engine's PRP power rating during any 24 hour period. An overload capability of 10% is available, however, this is limited to 1 hour within every 12 hour period.

### Continuous Power (COP)

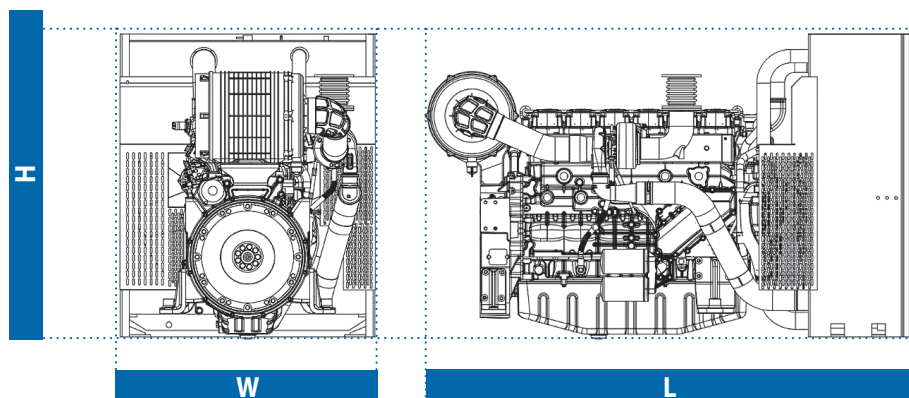
Continuous Power is the maximum power available for an unlimited period of use at a constant load factor. No overload capability is allowed.

1) All ratings are based on operating conditions under ISO 8528-1, ISO 3046, DIN6271. Performance tolerance of  $\pm 5\%$ .

2) Test conditions : 100 kPa, 25°C air inlet temperature, relative humidity of 30%, with fuel density 0.84 kg/L. Derating may be required for conditions outside these; please contact the factory for details.

3) Power output curves are based on the engine operating with fuel system, water pump and lubricating oil pump; not included are battery charging alternator, fan and optional equipment.

## Dimensions and dry weight (mm / kg)



Diesel Engine	Speed Rpm	Dimensions and dry weights including radiator			
		L mm	W mm	H mm	Weight Kg.
6M21G385/5	1500	2163	1136	1359	1190
6M21G440/5	1500	2163	1136	1359	1190
6M21G500/5	1500	2163	1136	1359	1260
6M21G330/6	1800	2163	1136	1359	1190
6M21G390/6	1800	2163	1136	1359	1190
6M21G400/6	1800	2163	1136	1359	1260